

# Broil King®

---

---

**Broil King.**  
**BARON 520 BUILT-IN**  
8766-52  
8766-53  
8766-56



**Broil King.**  
**BARON 520 BUILT-IN**  
8766-52SDW  
8766-53SDW  
8766-53SDWIL

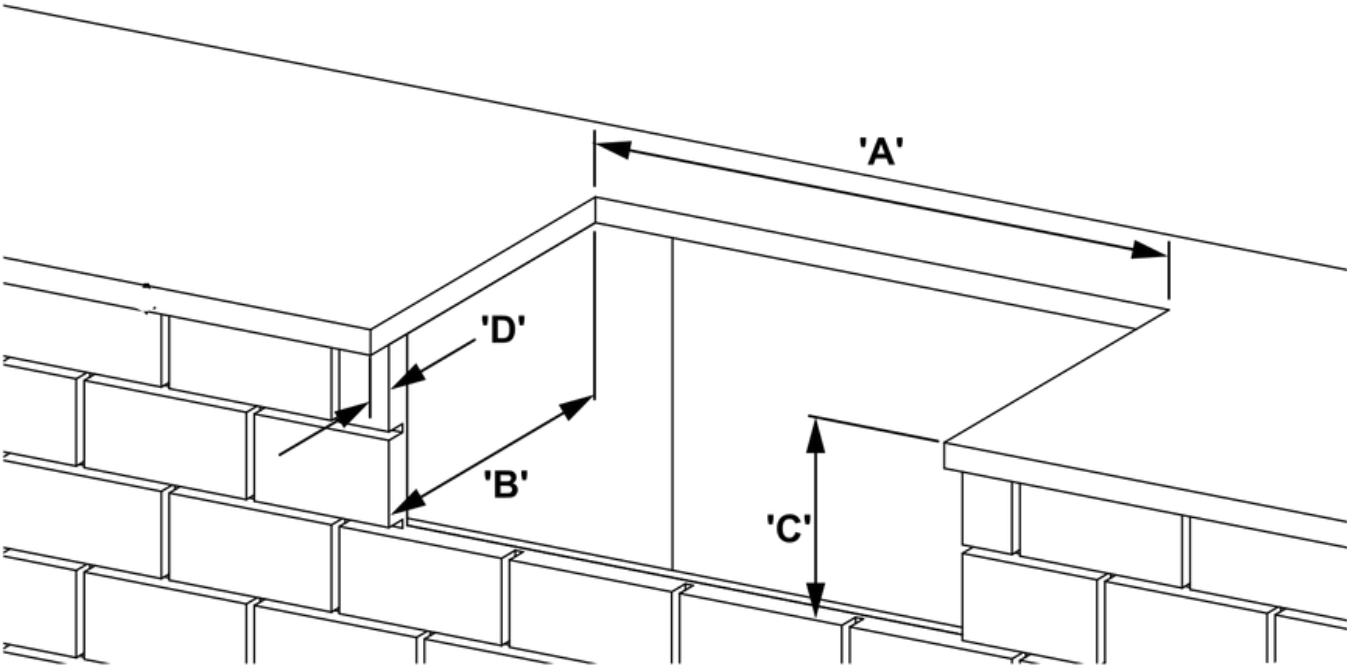


---

---

*Onward*  
**MANUFACTURING COMPANY**  
SINCE 1906  
585 KUMPF DRIVE LIMITED  
WATERLOO, ONTARIO, CANADA  
N2V 1K3

# COUNTERTOP OPENING DIMENSIONS



## COUNTERTOP OPENING DIMENSIONS BARON 520 BI

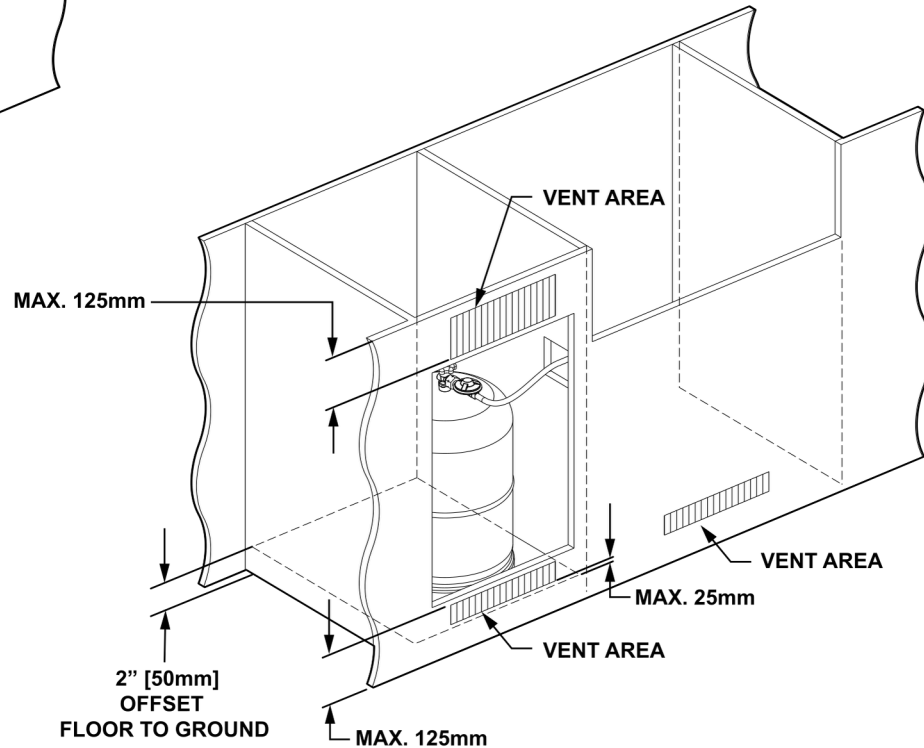
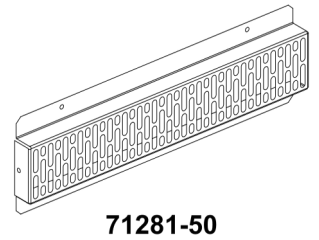
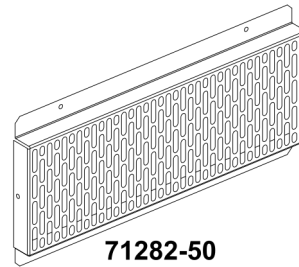
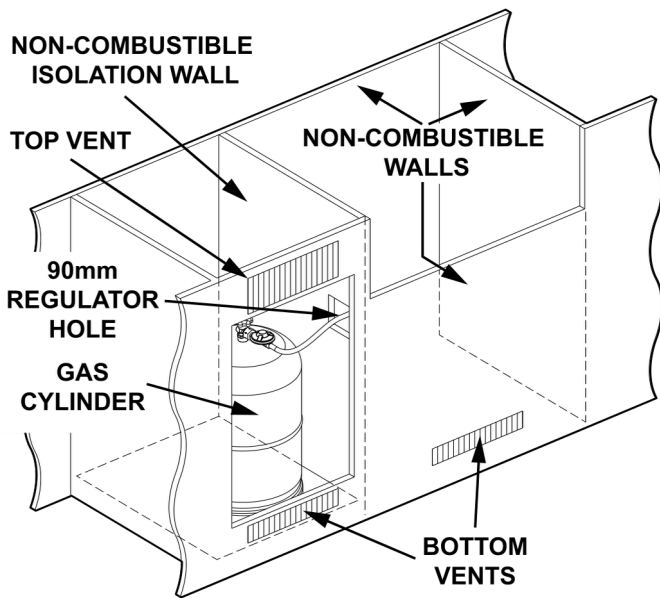
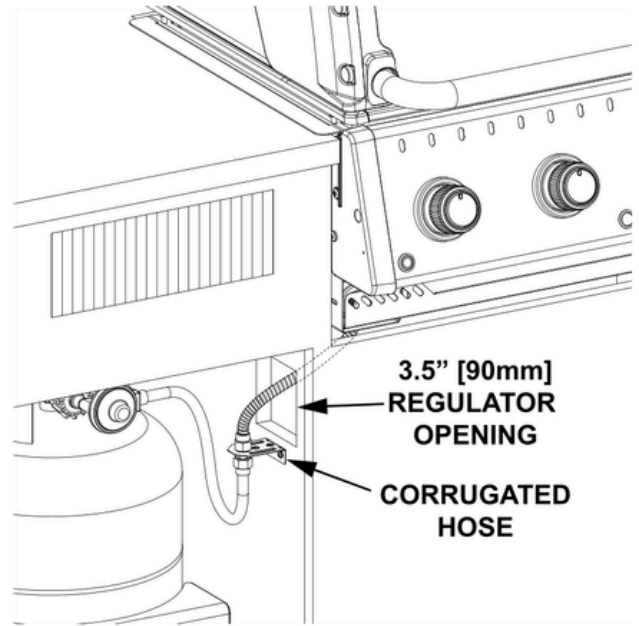
A	883 MM
B	464 MM
C	260 MM
D	Add overlap dimension "D" to countertop depth "B". Suggested overlap 1" [25 mm]

NOTE: The grease drawer should be flush to the front wall.

# INSTALLATION – CYLINDER & GRILL

## SPECIFICATION FOR CONNECTING TO A11kg GAS CYLINDER

- A 14" (350 mm) corrugated hose with a 3/8" SAE 45 degree fitting is connected to the manifold of the grill.
- Do not use pipe sealant on the 3/8" SAE 45 degree fitting.
- The 3/8" SAE 45 degree fitting must be attached to rigid permanent construction.
- If you choose to use a corrugated gas hose other than the one supplied, the connector must comply with EN ISO 228-1 or EN 10226-1 and EN 10226-2.



# INSTALLATION

The installation should be done by a qualified professional.

## POSITIONING YOUR GAS GRILL

Ensure there is adequate ventilation for heat and smoke to dissipate.

### WHEN DETERMINING THE POSITION OF THE GRILL, GIVE

#### THOUGHT TO:

- Exposure to wind.
- Proximity to traffic.
- Keeping gas lines and electrical connections as short as possible and away from heat sources.

#### LOCATE THE GRILL:

- To provide enough room to safely evacuate the area in the event of a fire.  
In a well-ventilated area.

#### NEVER LOCATE THE GRILL:

- In a garage, breezeway or shed, or any other enclosed area.
- Under overhead unprotected combustible construction.

The grill is designed to take air in through the control panel area and send the exhaust products out through the exhaust gap at the rear of the hood.

If locating the grill in a windy area, locate the grill so the prevailing wind will blow air at the front of the grill. A light wind blowing at the front of the grill will:

- Assist the grill in venting hot air thru the back of the grill.
- Assist in keeping smoke from blowing at someone who is cooking on the grill.

**WARNING:** Wind blowing in the back of the grill or along the exhaust vent can disrupt the proper flow of air through the grill, leading to reduced performance, or in certain cases, cause excess heat buildup in the control panel area. This can lead to a burn hazard if the control panel surface and knobs become too hot to touch.

During high wind conditions, it is best not to use the grill.

Damage to the grill resulting from use in windy conditions, such as melted knobs or igniter wires, or valve panel discoloration from heat build-up, are excluded from warranty coverage.

## CONSTRUCTION MATERIALS

Materials appropriate for outdoor construction should be chosen to build any enclosure and cabinetry for your built-in gas grill. All construction materials can be divided into two groups: combustible and non-combustible. You must follow the clearance specifications (pg4-6) for distances from the grill to either combustible or non-combustible materials.

## DEFINITION OF COMBUSTIBLE MATERIAL

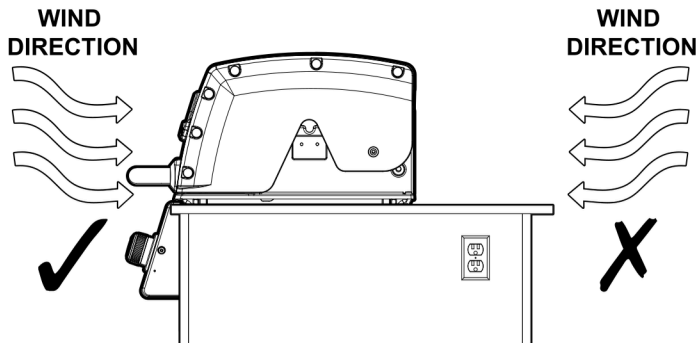
compressed paper, plant fibers, vinyl/plastic or other materials that are capable of transferring heat or being ignited and burned. Such material shall be considered combustible even though flame-proofed, fire-retardant treated or surface-painted, or plastered.

## DEFINITION OF NON-COMBUSTIBLE MATERIAL

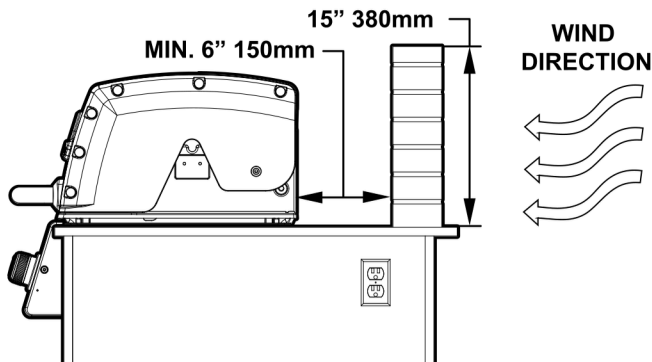
Material which is not capable of being ignited and burned, such as materials consisting entirely of, or a combination of, steel, iron, brick tile, concrete, slate, and plaster.

## COUNTERTOP

All installations require a non-combustible countertop surface. The countertop surface must be constructed from solid materials and must be level and smooth. For information on dimensions for openings in the countertop see (pg 10).

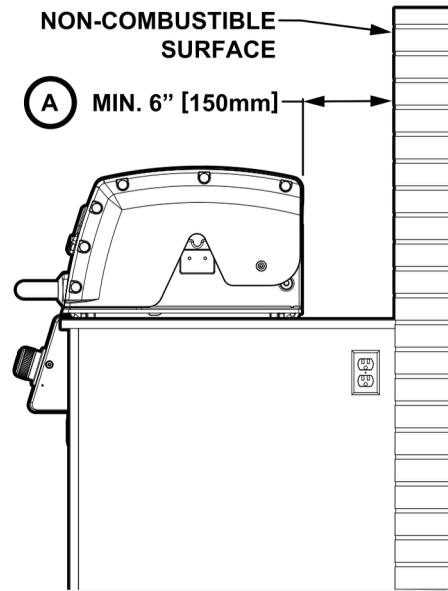


If the grill is located where the prevailing wind is blowing at the rear of the grill, a windbreak will need to be installed. The windbreak should be constructed to prevent wind from entering the exhaust vent in the rear of the grill and comply with the clearances specified for combustible or non-combustible construction as outlined in these instructions.

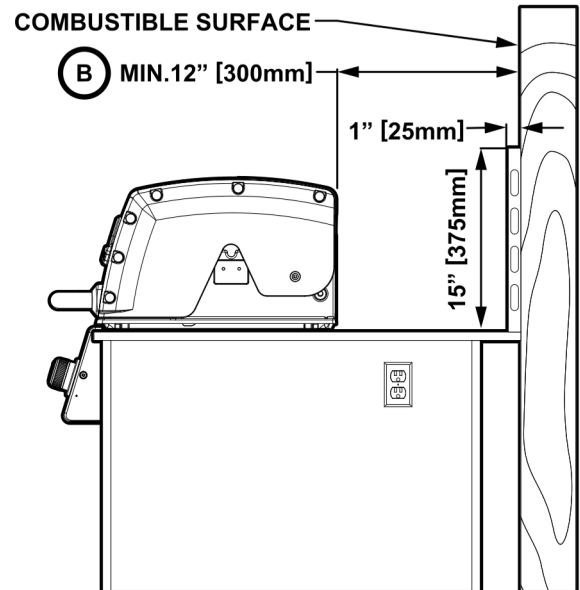


# INSTALLATION – CLEARANCES ABOVE COUNTERTOP

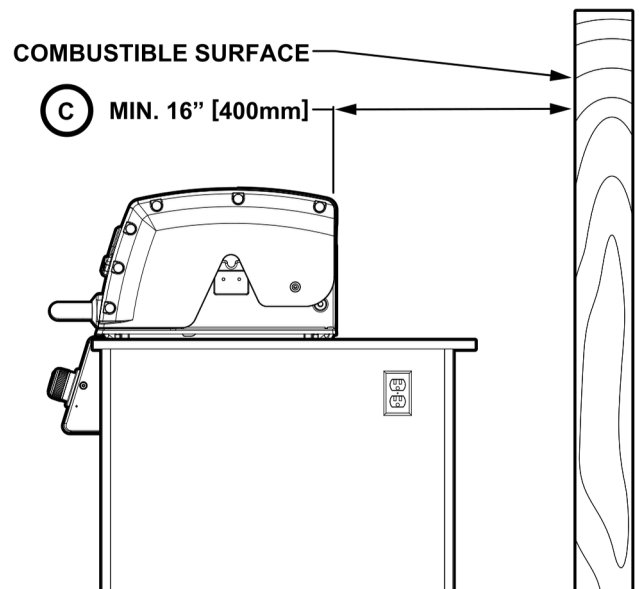
- A) Minimum clearance between the grill and non-combustible wall above the countertop surface is 6" [150mm] to the left, right and rear.



- B) Minimum clearance between the grill and a protected combustible wall above the countertop surface is 12" [300mm] to the left, right and rear.  
A protected combustible wall has a 1" (25mm) ventilated space between a non-combustible surface and the combustible surface extending 15" (375mm) above the countertop surface.



- C) Minimum clearance between the grill and a combustible wall above the countertop surface is 16" (400mm) to the left, right and rear.



# INSTALLATION - CLEARANCES BELOW COUNTERTOP

D) Minimum clearance between the grill and any non-combustible wall below the counter topsurface is 1/4" (6mm) to the left, right, rear and bottom.

E) Minimum clearance between the grill and any protected combustible wall below the counter topsurface is 4" (100mm) to the left, right and rear. A protected combustible wall has a 1" (25mm) ventilated space between a non-combustible surface and the combustible surface extending the full height below the countertop surface. The non-combustible enclosure should be vented in accordance with guidelines on (pg 8) "Grill enclosures without LP gas cylinder".

